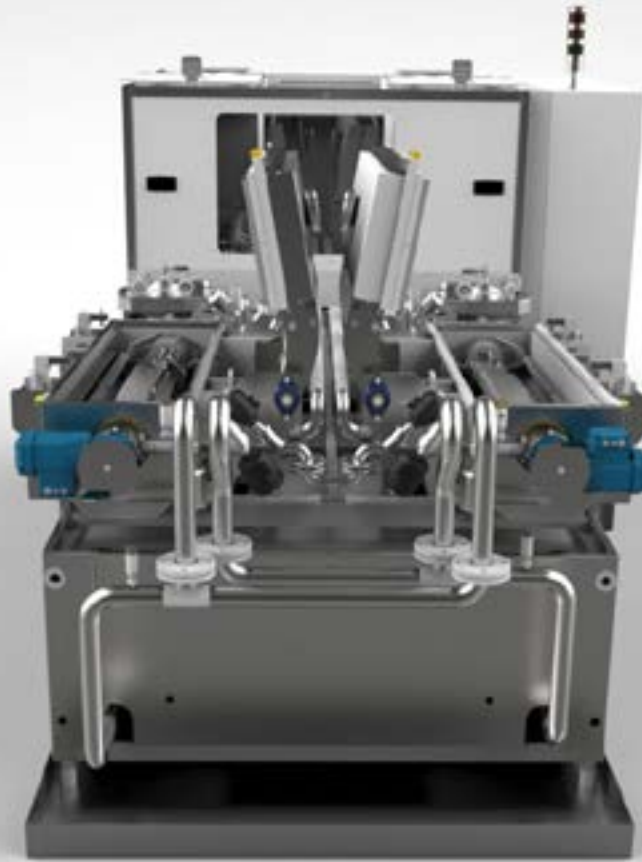


Cleaning of support for EV battery cooling



A company specializing in casting and machining called on MecanoLav's expertise to design and supply an EV battery cooling support cleaning machine

Discover our case study



Case study for





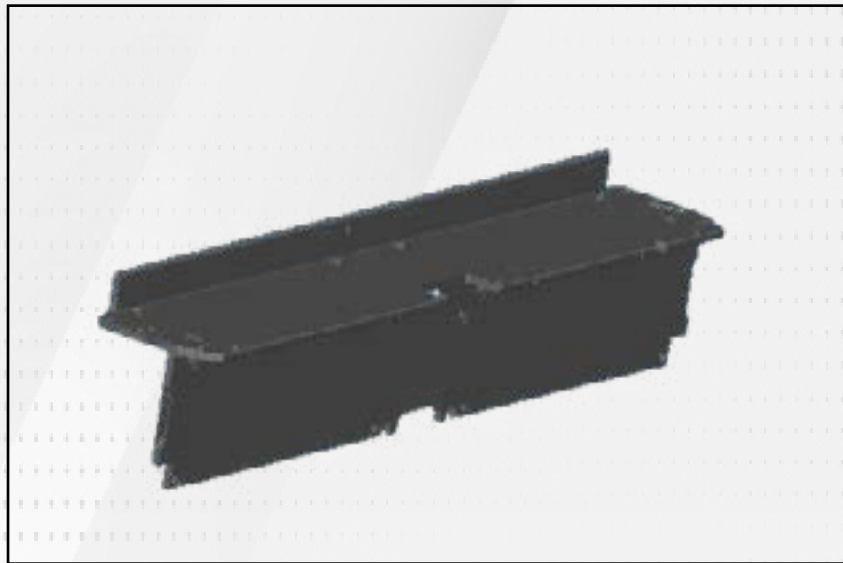
Objectives



Ensure a cycle time of 150 seconds



Guarantee an automated and securised process in a robot cell



Discover the machine



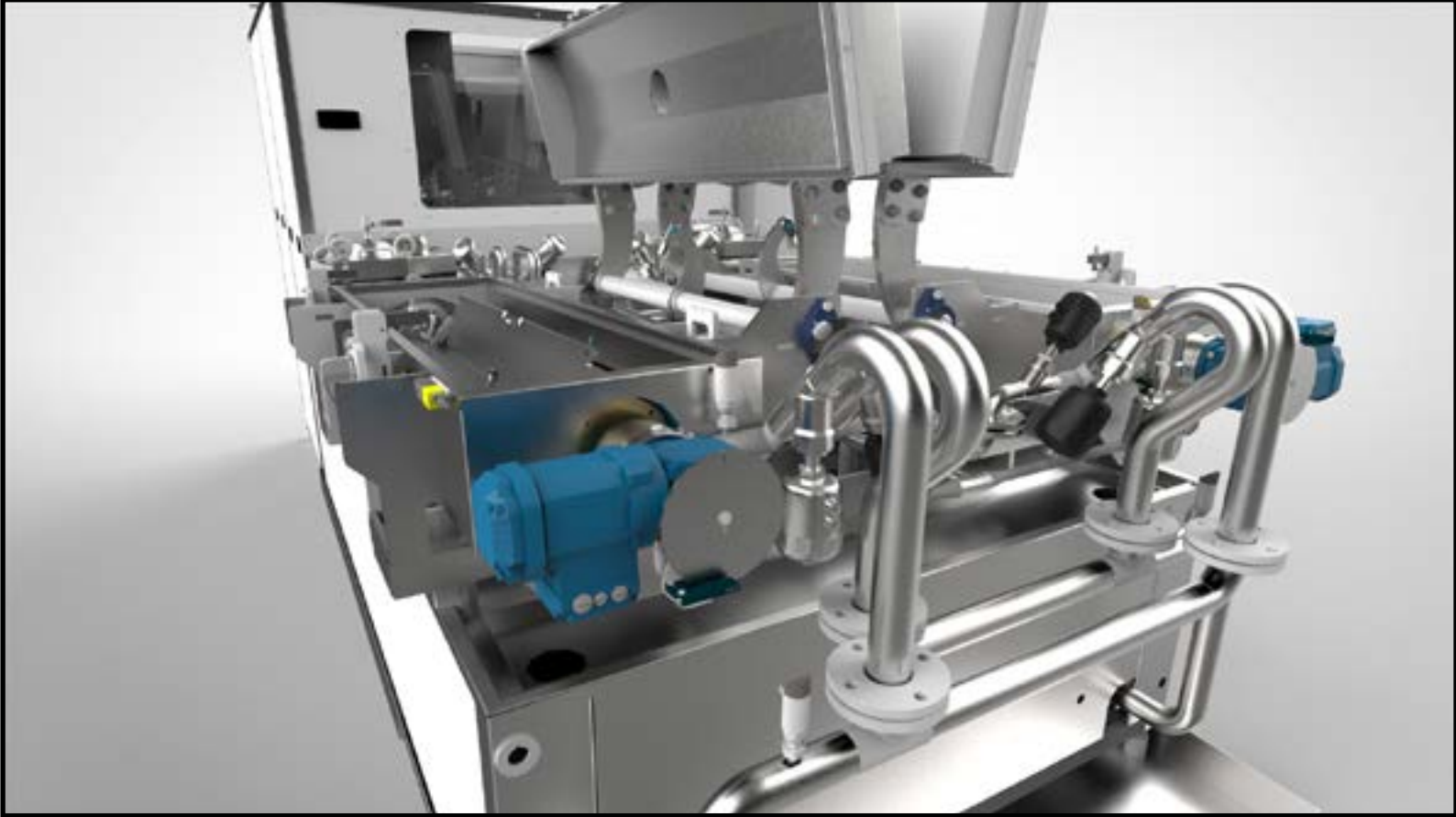
Twin work chamber : efficient and fast



Automated machine in a robot cell



Twin work chamber : efficient and fast



Simultaneous cleaning of two different parts, thanks to the adaptability of each work chamber to a specific reference

Cleaning, rinsing and drying in 150 seconds per parts

Automatic cycle between the two work chamber thanks to the pilot-operated valves that alternate process steps

Suite





Automated machine in a robot cell



Easy access with no obstacles for the robot to load from above
via automatic hatch

Repetability of the process ensured by precise parts
positioning, avoiding collisions during loading/unloading





See other applications

Cleaning machined profiles



Contact



Mecanolav - RIDEL SAS
38 Rue de Flandre, ZAC du Pays de Bray,
76270 Neufchâtel-en-Bray
FRANCE



02.35.93.00.78



contact@mecanolav.com

For further information, contact Alexandre Masurier
(sales) : 0652293833 / am@mecanolav.com