

# Railway axles cleaning



A French public railway company called on MecanoLav's expertise to design and supply a rail axle washing machine.

**Discover our case study**



Case study for



**MecanoLav**  
Smart Cleaning



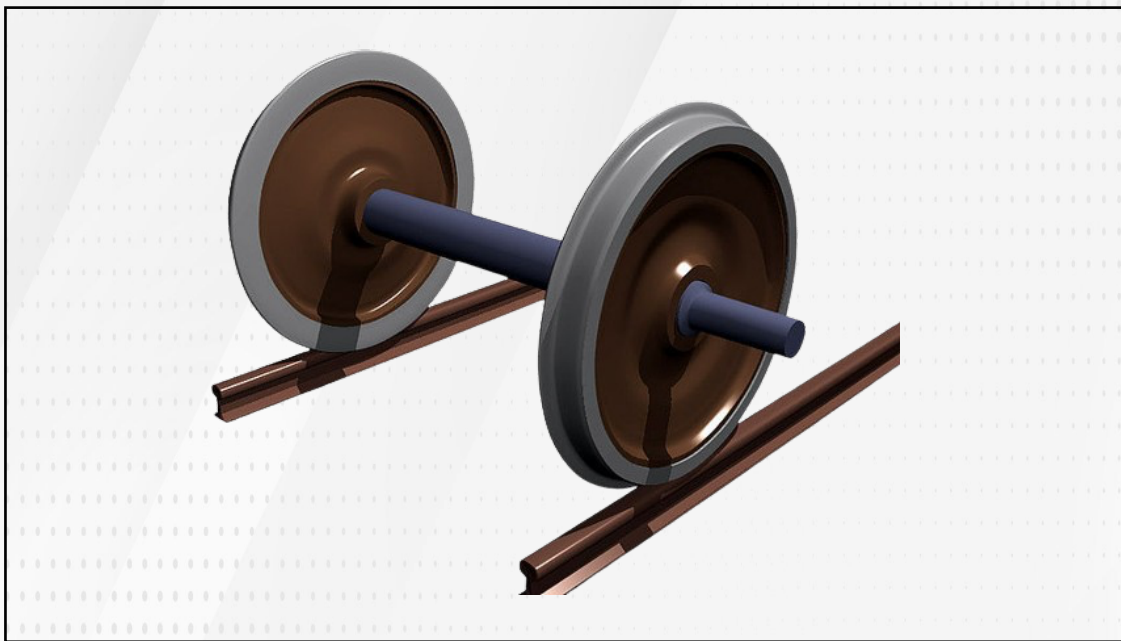
# Objectives



Degreasing a solid part over 2.5 metres long



Process optimization through automation and bath sustainability



## Discover the machine



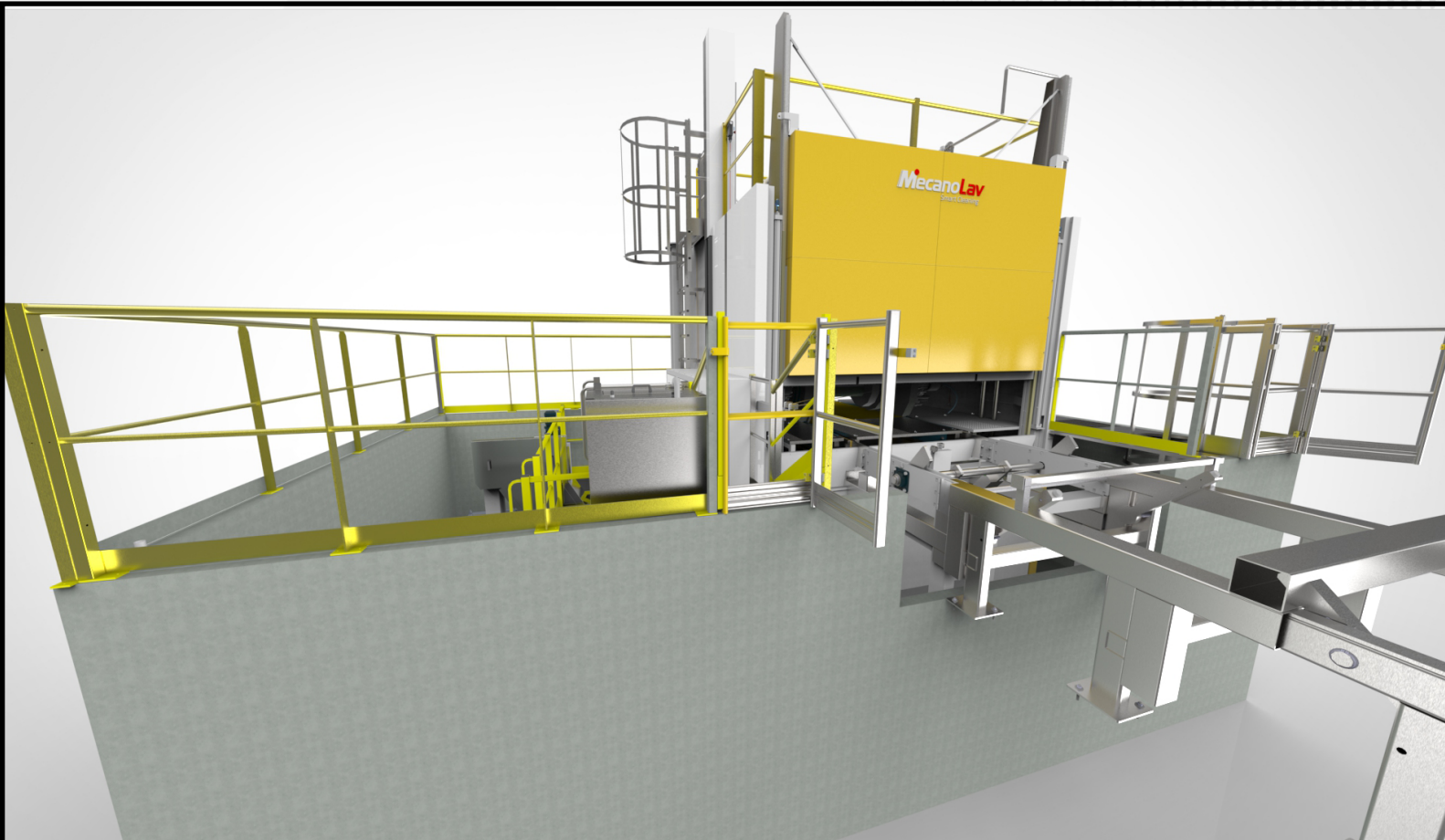
**Robust and efficient machine**



**Fully automated process**



# Robust and efficient machine



Useful dimensions of 2800 x 1500 x H1800mm

Degreases 40 axles in 7 hours

Designed to accommodate workpieces up to 2.5 meters in length and support loads of up to 3 tons

Bath heating by gas burner

Suite



**MecanoLav**  
Smart Cleaning



# Fully automated process



Oscillating and rotating ramps for complete axle degreasing

---

System of mechanical stops to ensure that the axles to be cleaned are locked in place

---

Automated axle transfer (through machine): mechanical system controlled by a PLC for autonomous loading and unloading of axles.

[See other cases](#)





# Example of application

## Cleaning and degreasing of train bearings



## Contact



Mecanolav - RIDEL SAS  
38 Rue de Flandre, ZAC du Pays de Bray,  
76270 Neufchâtel-en-Bray  
FRANCE



02.35.93.00.78



[contact@mecanolav.com](mailto:contact@mecanolav.com)

For more information, contact Olivier Delastre: 0680416813/  
[olivier.delastre@mecanolav.com](mailto:olivier.delastre@mecanolav.com)