

The cleanliness Technology

Eco



APPLICATIONS

- Tools washing
- Cleaning in production cell
- Cleaning of repaired or renovated parts
- Degreasing of dirty parts in few minutes

SPECIFICITIES

- Works in closed circuit
- Robust stainless steel construction
- Quick return on investment
- Low energy and detergent consumption

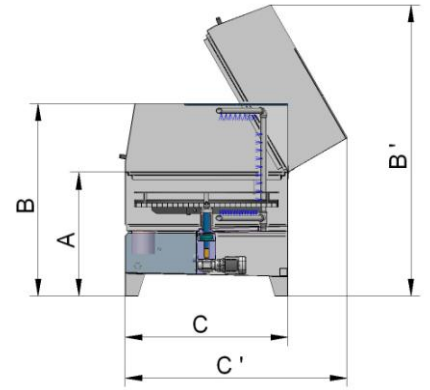
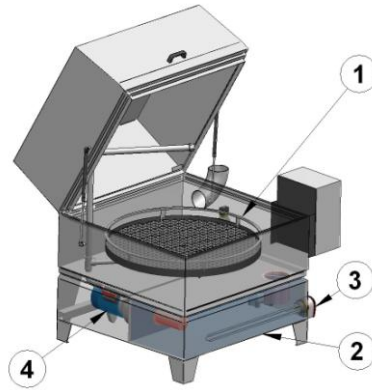
For more information,
Contact :

MecanoLav
The cleanliness technology

38 Rue de Flandre
ZAC du Pays de Bray
76270 NEUFCHATEL EN BRAY
Tél (33) 02 35 93 00 78
Fax (33) 02 35 94 14 20

Operation

- Parts to be clean are placed on rotary plate.
- A pump sucks detergent in the bottom of the tank and sprays it under pressure through 4 ramps.
- An automatic timer stops the washing cycle.
- Return tank filter and protection before the pump.



Specifications

			IC 2	IC 3	IC 4
Required dimensions					
Plate diameter	1	mm	780	900	1100
Height		mm	450	550	700
Loading height	A	mm	770	770	800
Maximal load		kg	150	300	500
External dimensions					
Width		mm	1150	1300	1600
Depth	C	mm	900	1000	1250
Depth with cover open	C'	mm	1170	1400	1700
Height	B	mm	1080	1200	1350
Height with cover open	B'	mm	1650	1800	2100
Pump					
Power	5	kW	1,1	1,5	1,5
Flow		l/min	180	250	250
Pressure		bar	2,1	2,5	2,5
Tank					
Volume	2	liters	100	110	170
Draining valve	4	inches	1''	1''	1''
Electric heating	3	kW	6	6	12
Maximal temperature		°C	70 / 90	70 / 90	70 / 90
Electrical supply					
Power		kW	7,5	7,5	14
Voltage		V	400 tri	400 tri	400 tri
Other characteristics					
Machine weight		kg	120	150	250
Maximum cleaning time		mn	60	60	60
Gear motor power		kW	0,12	0,12	0,12
Options					
Steam fan power		kW	0,18	0,18	0,18
Hot air drying		kW	6	6	6
Oil skimmer		kW	0,06	0,06	0,06

Options

- Steam extraction
- Compressed air blowing
- Hot air drying
- Draining pump
- Thermal insulation
- Automatic cover locking
- Automatic filling
- Detergent dispenser
- 4 wheels
- Mist collector
- Oil skimmer
- Cartridge or bag filter